

TEAC



SERVICE MANUAL

PD-D2750

Compact Disc Changer



CONTENTS

1 SPECIFICATIONS	2
2 EXPLODED VIEWS AND PARTS LIST	3
3 PC BOARDS AND PARTS LIST	8
4 WIRING DIAGRAM	12
5 BLOCK DIAGRAM	13
6 IC BLOCK DIAGRAM	14

目次

1 仕様	2
2 分解図とパーツリスト	3
3 基板図とパーツリスト	8
4 結線図	12
5 ブロック図	13
6 ICブロック図	14

NOTES

- PC boards shown are viewed from parts side.
- The parts with no reference number or no parts number in the exploded views are not supplied.
- As regards the resistors and capacitors, refer to the circuit diagrams contained in this manual.
- ⚠ Parts marked with this sign are safety critical components. They must be replaced with identical components - refer to the appropriate parts list and ensure exact replacement.
- Parts of [] mark can be used only with the version designated.
[J]: JAPAN [US]: U. S. A. [E]: EUROPE [UK]: U. K.

注 意

- プリント基板図は部品面を示しています。
- 分解図に部番のない部品および品番のない部品は供給できません。
- 標準の抵抗、コンデンサーは省略してあります。回路図を参照してください。
- ⚠印は安全重要部品です。交換する時は必ず指定の部品を使用してください。
- 仕向先
[J]: JAPAN [US]: U. S. A. [E]: EUROPE [UK]: U. K.

1 SPECIFICATIONS

仕様

System	Digital compact disc changer
Pickup	3-beam laser
Error correction	CIRC
Sampling frequency	44.1 kHz
D/A converter	Dual 1-bit linear
Digital filter	8-times oversampling
Frequency response	20~18,000 Hz
Total harmonic distortion	Less than 0.02 % (1 kHz)
S/N ratio	More than 96 dB
Wow and flutter	Below measurable limit
Channel separation	More than 90 dB (1 kHz)
Output voltage max.	1.8 Vrms

General

Power requirements	230 V AC, 50 Hz (Europe/U.K. model)
Power consumption	12 watts
Dimensions (W x H x D)	435 x 115 x 390 mm (17-1/8" x 4-2/4" x 15-3/8")
Weight	6.2 kg (13-5/8 lbs.)

Standard Accessories

Wireless remote control RC-722 x 1
Pin plug cord x 1
Battery (SUM-3, "AA", "R6" type) x 2

- Improvements may result in specification or feature changes without notice.

オーディオ

チャンネル数	2チャンネル
周波数特性	20Hz~18kHz ±1.5dB
SN比	96dB以上(1kHz, 0dB)
全高調波歪率	0.02%(1kHz, 0dB)
ワウフラッター	測定限界値以下(水晶発信精度)
チャンネルセパレーション	90dB(1kHz, 0dB)
出力端子	アナログ：ライン×1系統、ヘッドホン×1 デジタル：光/同軸 各1系統
D/Aコンバーター	デュアル1ビットDAC
デジタルフィルター	8倍オーバーサンプリングデジタルフィルター

ピックアップ

方式	光学式3ビーム
対物レンズ駆動方式	2次元平行駆動
光源/波長	半導体レーザー/790nm

信号フォーマット

標本化周波数	44.1 kHz
量子化ビット数	16ビット リニアチャンネル
伝送レート	4.3218Mb/sec
変調方式	EMF
エラー訂正方式	CIRC

一般

電源	100V AC 50-60Hz
消費電力	9W
本体寸法(W×H×D)	435×115×390(mm)
質量	6.2kg

付属品

オーディオケーブル×1
リモコン(RC-722)×1
乾電池(単3、SUM-3)×2
取扱説明書、保証書

仕様及び外観は改善のため予告なく変更することがあります。

SAFETY INFORMATION

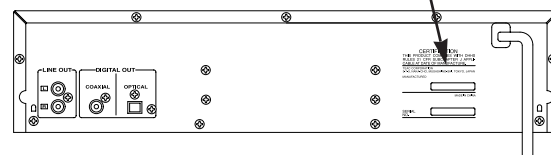
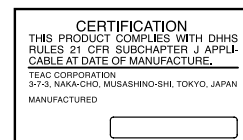
This product has been designed and manufactured according to FDA regulations "title 21, CFR, chapter 1, subchapter J, based on the Radiation Control for Health and Safety Act of 1968", and is classified as a class 1 laser product. There is no hazardous invisible laser radiation during operation because invisible laser radiation emitted inside of this product is completely confined in the protective housings. The label required in this regulation is shown ①.

● CAUTION

USE OF CONTROLS OR ADJUSTMENT OR PERFORMANCE OF PROCEDURES OTHER THAN THOSE SPECIFIED HEREIN MAY RESULT IN HAZARDOUS RADIATION EXPOSURE.

Optical pickup:	Material : Ga-Al-As
	Wavelength : 765 - 815nm (25°C)
	Laser output : Continuous wave max. 0.7mW

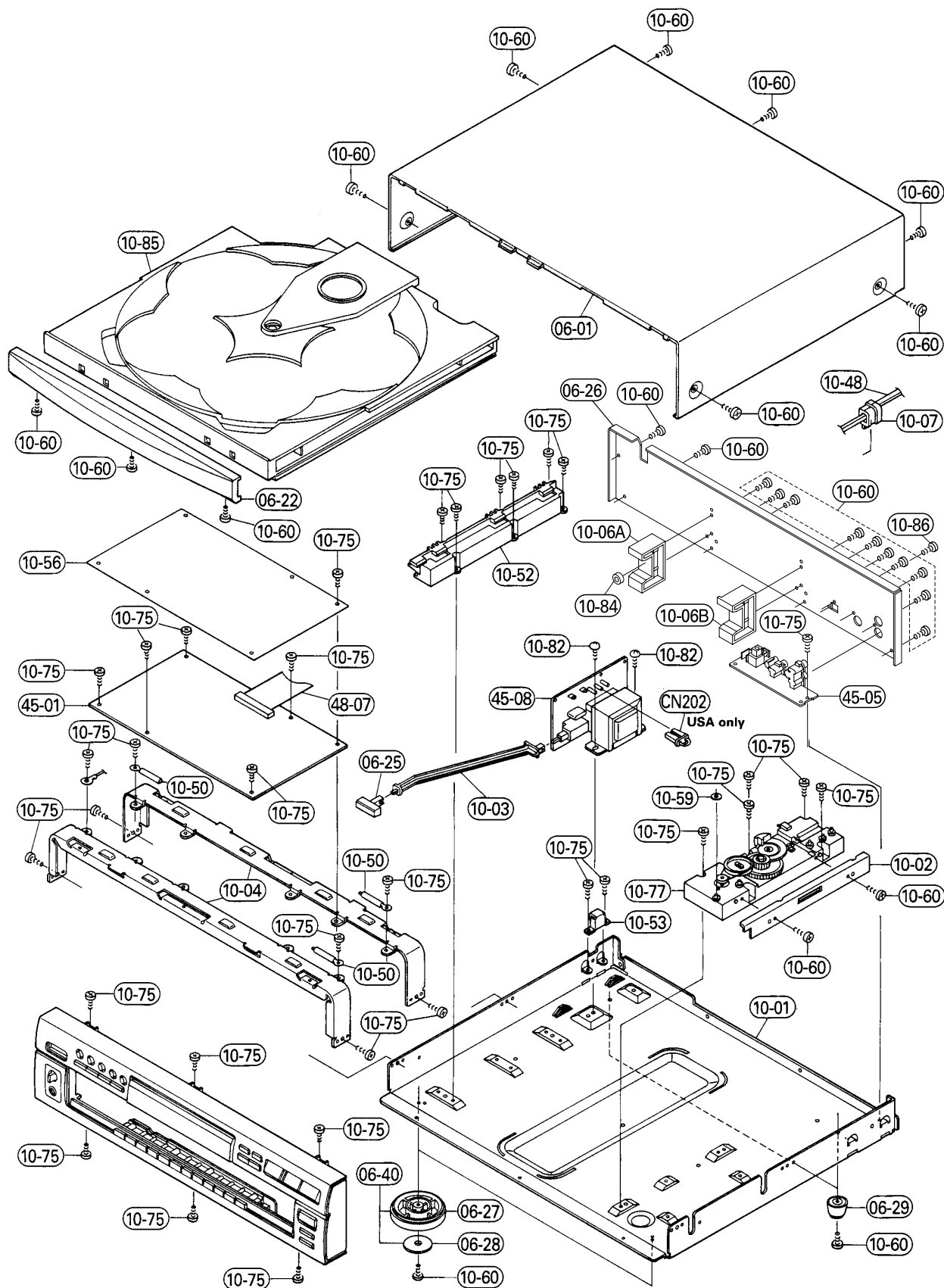
① For U.S.A.



2 EXPLODED VIEWS AND PARTS LIST

分解図とパーツリスト

EXPLODED VIEW-1



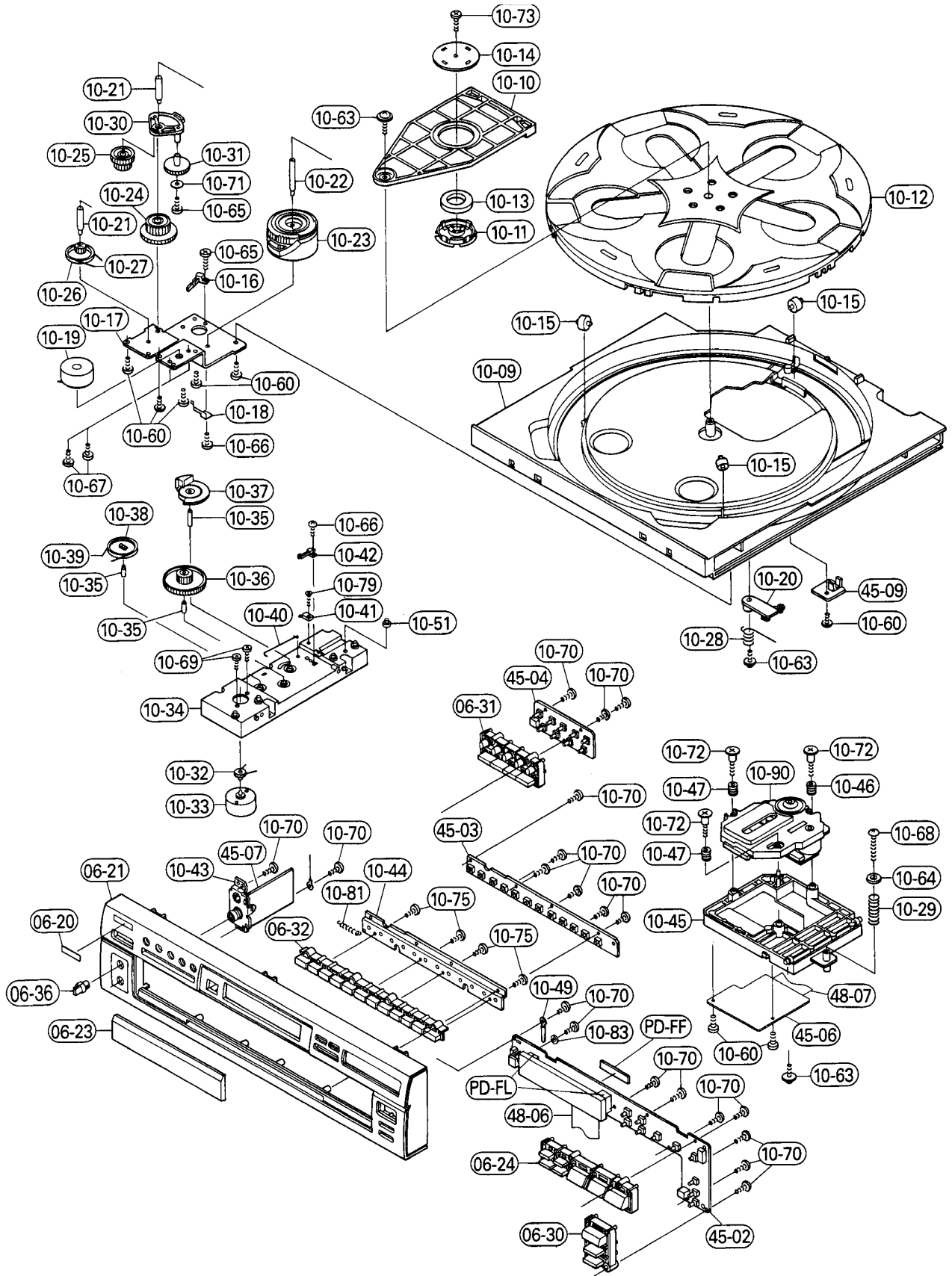
EXPLODED VIEW-1

REF. NO.	PARTS NO.	DESCRIPTION	REMARKS
06-01	9A07348100	COVER	CEC2121000910
06-22	9A08658200	DECORATION, TRAY	CEC2144004014
06-25	9A07348500	KNOB, PUSH	CEC2174004600
06-26	9A09167800	PANEL, REAR [J]	CEC2153002429
	9A08658300	PANEL, REAR [US]	CEC2153002426
	9A09168100	PANEL, REAR [E, UK]	CEC2153002428
06-27	9A06844600	LEG	CEC2251003001
06-28	9A06846800	FELT, LEG	CEC2571000300
06-29	9A07078300	LEG	CEC2251003500
06-40	9A06842900	ASSY, LEG	CEC0251001700
10-01	9A07353600	CHASSIS	CEC2311007100
10-02	9A07354000	BRACKET-M, BASE, RIGHT	CEC2322001600
10-03	9A07354400	JOINT	CEC2351002000
10-04	9A07353900	BRACKET-M, TOP	CEC2322001500
10-06A	9A09094200	STOPPER	CEC2366000300
10-06B	9A09094300	STOPPER	CEC2366000301
10-07	△ 9A06846200	BUSHING, NIFCO 2271	CEC2446000200
10-48	△ 9A07275200	POWER CORD [J]	CEC4W10005700
	△ 9A07506100	POWER CORD [US]	CEC4W10006000
	△ 9A07087800	POWER CORD [E]	CEC4W10005400
	△ 9A07258200	POWER CORD [UK]	CEC4W10004700
10-50	9A06859600	LUG	14124729042000
10-52	9A07354300	BASE, LEFT	CEC2332002500
10-53	9A07353700	BRACKET, STOPPER	CEC2321000400
10-56	9A07508300	SHILD, PLATE	CEC2421000100
10-59	9A06845800	WASHER, SPECIAL	CEC2383004800
10-60	9A01041200	SCREW, S-TPG BIN M3X8	SFBDN308R0SM-
10-75	9A01589800	SCREW, S-TPG BIN M3X6	SFBDN306R0SE-
10-77	9A07352500	ASSY, BASE	CEC0332001100
10-82	9A06856000	SCREW, S-TPG TR S4X6	SFSTN406R0SE-
10-84	9A07354800	FELT, PL	CEC2571002500
10-85	9A06981100	CABINET ASSY	CEC0111000202
10-86	9A06982500	SCREW, BIN+SW M3X8	SM2DS308R0SM-
45-01	9A08657700	ASSY, PCB, MAIN	CEC0B10030900
45-05	9A07605900	ASSY, PCB, OUTPUT (+DIG1)	CEC0B10028740
45-08	9A07352030	ASSY, PCB, POWER [J]	CEC0B10029000
	9A07352000	ASSY, PCB, POWER [US]	CEC0B10029030
	9A07352010	ASSY, PCB, POWER [E]	CEC0B10029040
	9A07352020	ASSY, PCB, POWER [UK]	CEC0B10029041
48-07	9A08658800	WIRE, JUMPER, 33P	CEC4W30009800
CN202	9A07082200	CONNECTOR HOUSING [US]	CEC4J13014100

INCLUDED ACCESSORIES

REF. NO.	PARTS NO.	DESCRIPTION	REMARKS
	9A08775800	OWNER'S MNL, J [J]	
	9A08622900	OWNER'S MNL, E/F [US]	
	9A08694300	OWNER'S MNL, MULTI [E, UK]	
	9A07507000	REMOTE CONTROL UNIT	
	9A07089700	BATTERY [J, E, UK]	
	9A06849900	PLUG, CORD, RCA	

EXPLODED VIEW-2



EXPLODED VIEW-2 (1/2)

REF. NO.	PARTS NO.	DESCRIPTION	REMARKS
01-13	9A08658900	WIRE, JUMPER, 13P	CEC4W30009900
06-20	9A06844100	BADGE	CEC2163001800
06-21	9A08658000	ESCUTCHEON	CEC2141003414
06-23	9A07353000	WINDOW	CEC2164006310
06-24	9A07353200	BUTTON, PLAY	CEC2175012510
06-30	9A07353300	BUTTON, OPEN	CEC2175012610
06-31	9A08658100	BUTTON, FUNCTION	CEC2175012710
06-32	9A07353500	BUTTON, 12KEY	CEC2175012810
06-36	9A07353100	KNOB, ROTARY	CEC2171002000
10-09	9A07350100	CABINET, TOP	1EA2111A16900
10-10	9A06857400	COVER, CD	1EA2121A08000
10-11	9A06846400	HOLDER, DISC	CEC2451000900
10-12	9A06846500	TURNTABLE, CHANGER	CEC2541001300
10-13	9A06847000	MAGNET	CEC2641000300
10-14	9A02677700	YOKE, MAGNET	1EA2642A00500
10-15	9A02677900	ROLLER, T. T.	1EA2751A00300
10-16	9A02675500	LEAF SW	42312071100
10-17	9A06857600	CHASSIS, SUB	1EA2312A00800
10-18	9A02678100	SPRING, PLATE	1EA2814A02700
10-19	9A02678200	MOTOR, 6.0V	1EA4M10A01600
10-20	9A06843400	ASSY, LEVER, LOCK	CEC0721000600
10-21	9A06845500	SHAFT, GEAR LOAD	CEC2372000400
10-22	9A06845600	SHAFT, GEAR CAM	CEC2372000500
10-23	9A02676900	GEAR, CAM	1EA2511A05900
10-24	9A02677000	GEAR, LOAD	1EA2511A06000
10-25	9A02677100	GEAR, PINION	1EA2511A06100
10-26	9A02677300	PULLEY, GEAR	1EA2524A00800
10-27	9A07354700	BELT, SQUARE	CEC2563001100
10-28	9A06847300	SPRING, LEVER, LOCK	CEC2816001300
10-29	9A02678500	SPRING, DAMPER	14128529495000
10-30	9A02677800	LEVER, CHANGE	1EA2721A02900
10-31	9A02677200	GEAR, IDLER	1EA2511A06200
10-32	9A06858600	PULLEY, MOTOR	1EA2523A01600
10-33	9A07360100	MOTOR, 6V	1EA4M10A01601
10-34	9A07354200	BASE, RIGHT	CEC2332002400
10-35	9A06847100	PIN GEAR	CEC2771000300
10-36	9A06858000	GEAR, LOAD, LARGE	1EA2511A08000
10-37	9A06858100	GEAR, RETURN	1EA2511A08101
10-38	9A06858700	PULLEY	1EA2524A01200
10-39	9A06846700	BELT, SQUARE	CEC2563000900
10-40	9A06858900	SPRING, WIRE	1EA2815A00400
10-41	9A01036200	LEVER SW, 1P1T	42312070100
10-42	9A03301300	LEAF SW	42319798900
10-43	9A07353800	BRACKET-E, JACK	CEC2321001000
10-44	9A07354100	BRACKET-M, BUTTON	CEC2322001700
10-45	9A06845200	BASE, CD, MECHANISM	CEC2332001800
10-46	9A06846000	CUSHION RUBBER, SIDE, MOTOR	CEC2444004500
10-47	9A06846100	CUSHION RUBBER, CHASSIS	CEC2444004501
10-49	9A07079000	LUG	CEC2377001600
10-51	9A06847200	PIN POST	CEC2771000500

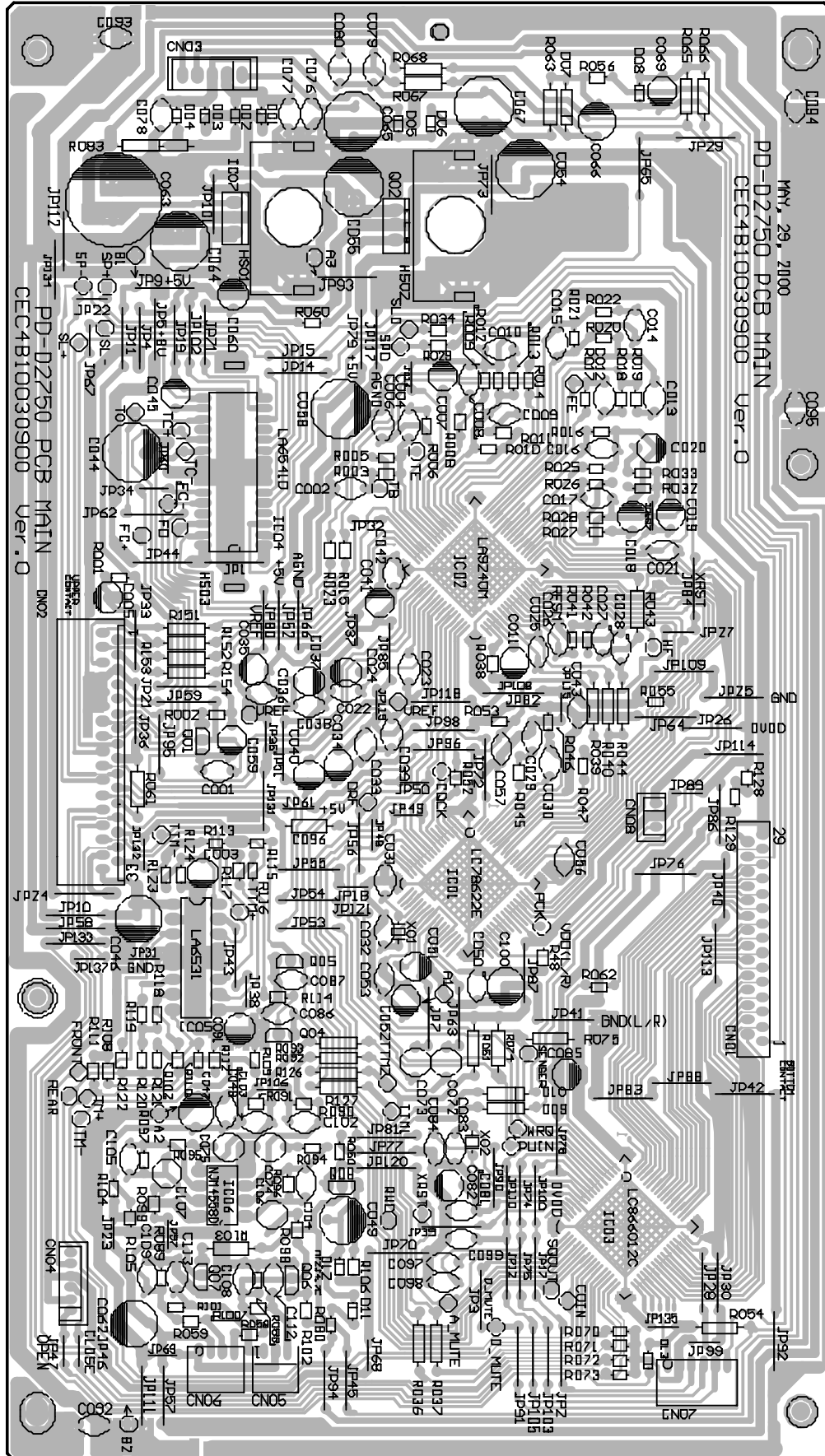
EXPLODED VIEW-2 (2/2)

REF. NO.	PARTS NO.	DESCRIPTION	REMARKS
10-60	9A01041200	SCREW, S-TPG BIN M3X8	SFBDN308R0SM-
10-63	5760707700	SCREW, B-TITE SEMS M3X10	13124201283000
10-64	9A06856600	WASHER, Z 4. 5X12X1	SWZ451201R0SE
10-65	9A02680400	SCREW, S-TPG BIN M2X5	SFBDN205R0SE-
10-66	9A02680600	SCREW, S-TPG PAN M2. 6X6	SFBPN266R0SE-
10-67	9A02680500	SCREW, PAN M2. 6X2	SM2PN262R0SE-
10-68	9A06856300	SCREW, PAN 4X25	SM2PN40250SE-
10-69	9A07359900	SCREW, BIN 2. 6X6	SM2DN266R0SE-
10-70	9A07073500	SCREW, S-TPG BIN 2. 6X8	SFBDN268R0SE-
10-71	9A02680200	WASHER, SPECIAL	SWXEA09300---
10-72	9A06845700	SCREW, SPECIAL	CEC2381003600
10-73	9A03303500	SCREW, S-TPG PIN M2X4	SFBDN204R0SE-
10-75	9A01589800	SCREW, S-TPG BIN M3X6	SFBDN306R0SE-
10-79	9A06856500	SCREW, TPG PAN 1. 7X8	ST3PN178R0SM-
10-81	9A07508400	SPRING, TENS	CEC2811001000
10-83	9A06845900	WASHER, 3X8X1T	CEC2383005000
10-90	9A06843600	MECHA, CD93V4+FELT	CEC0991004400
45-02	9A07351400	ASSY, PCB, DISPLAY	CEC0B10028700
45-03	9A07351500	ASSY, PCB, 10KEY	CEC0B10028710
45-04	9A07351600	ASSY, PCB, FUNCTION	CEC0B10028720
45-06	9A08658600	ASSY, PCB, CDRW	CEC0B10031000
45-07	9A07351910	ASSY, PCB, HP	CEC0B10028901
45-09	9A06842500	ASSY, PCB, SENSOR	CEC0B10025700
48-06	9A07739800	WIRE, JUMPER, 29P, 110	CEC4W30008705
PD-FL	9A07354500	PAD, FLT	CEC2448003400
PD-FF	9A07354600	PAD, FFC	CEC2448003500

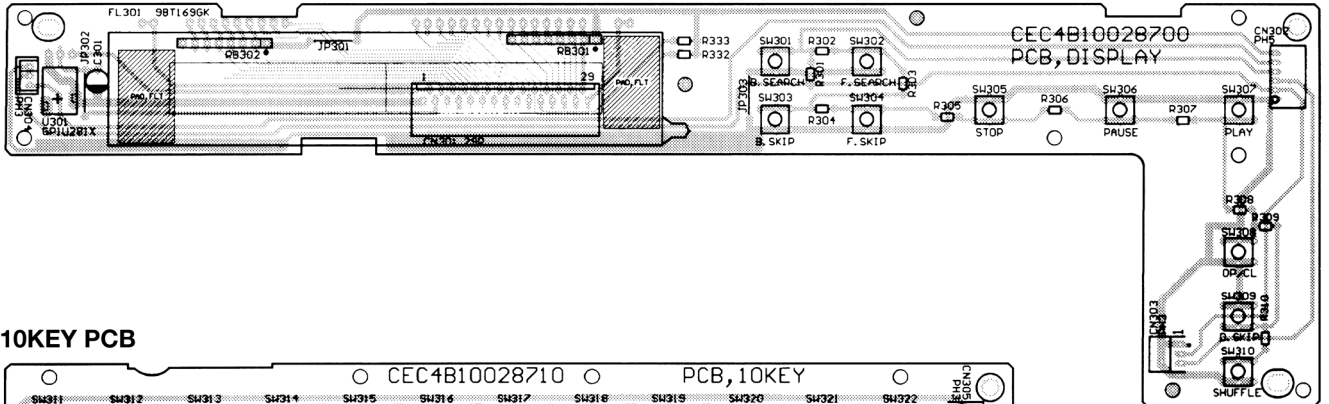
3 PC BOARDS AND PARTS LIST

基板図とパーツリスト

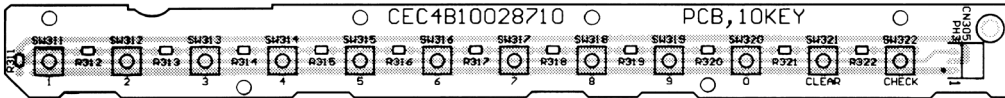
MAIN PCB



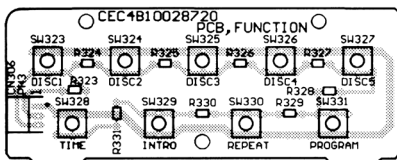
DISPLAY PCB



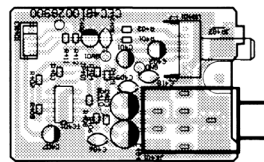
10KEY PCB



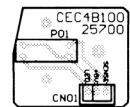
FUNCTION PCB



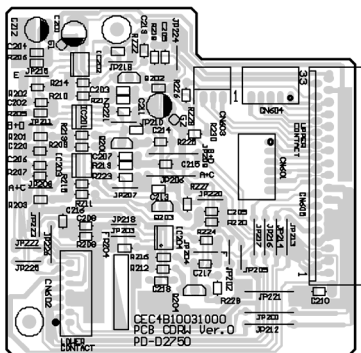
HP PCB



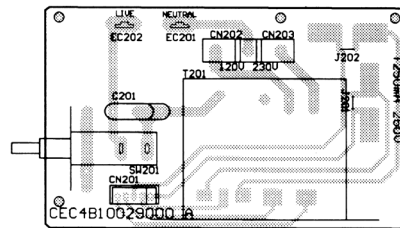
SENSOR PCB



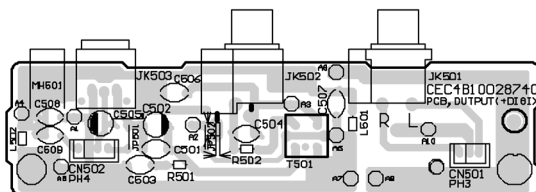
CDRW PCB



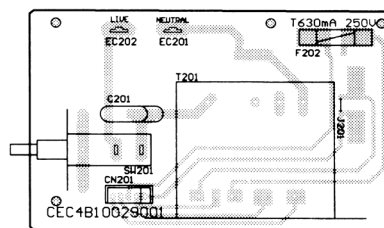
POWER PCB (USA)



OUTPUT (+DIGI) PCB



POWER PCB (EUR)



MAIN PCB ASSY

REF. NO.	PARTS NO.	DESCRIPTION
	9A08657700	ASSY, PCB, MAIN
	9A08659000	PCB, MAIN
	5760526600	PLATE HEAT SINK
	9A07348700	HEAT SINK
C063	△ 9A08467700	C, ELECT 3300U/25V M
CN01	9A06848000	PLUG
CN02	9A08659500	PLUG, 33P, R DC
CN03	9A00430600	CONNECTOR, 5P
CN04	9A00188000	PLUG, 6P, PH V
CN05	9A07360300	PLUG, 3P
CN06	9A07087000	PLUG, 4P
CN07	9A02683000	PLUG, 6P
CN08	9A00436900	PLUG, 3P
D01-06	△ 9A06853300	DIODE, 1A3-I
D07	9A06853500	ZENER DIODE, GZB24B
D08	9A07358500	ZENER DIODE, MTZJ6. 2A
D09-11	9A06853400	DIODE, 1SS133-T-77
D12	9A07085200	ZENER DIODE, MTZJ4. 7C-T-77
D13	9A06853400	DIODE, 1SS133-T-77
IC01	9A06854300	IC, LC78622E
IC02	9A06854100	IC, LA9240M
IC03	9A08659200	IC, LC866012C-5S33
IC04	9A06854000	IC, LA6541D
IC05	9A07358600	IC, LA6531
IC06	9A06854400	IC, NJM4558D
IC07	△ 9A06854600	IC, NJM7808FA
Q01	9A06856900	TR, 2SA933AS-TP-R
Q02	△ 9A07360000	TR, 2SB1142-T
Q04, 05	9A06856800	TR, DTC124ESA-TP
Q06, 07	9A06857000	TR, 2SD1936-T-AC
Q08	9A06856700	TR, DTA124ESA-TP
X01	9A02264500	CRYSTAL, 16. 9344MHZ
X02	9A06849600	RESONATOR, CSA12. 0MTZ

DISPLAY PCB ASSY

REF. NO.	PARTS NO.	DESCRIPTION
	9A07351400	ASSY, PCB, DISPLAY
	9A07355000	PCB, DISPLAY
	9A07354500	PAD, FLT
	9A07354600	PAD, FFC
CN301	9A06848100	PLUG, 29P, R
CN302	9A02683000	PLUG, 6P
CN303	9A07360300	PLUG, 3P
CN304	9A00436900	PLUG, 3P
FL301	9A07356700	FLT, 9-BT-169GK
RB301, 302	9A07083000	R, RKC 1/8 B7 220K J
SW301-310	9A08467800	SW, TACT
U301	9A06847600	IC, GP1U281X

10KEY PCB ASSY

REF. NO.	PARTS NO.	DESCRIPTION
	9A07351500	ASSY, PCB, 10KEY
	9A07355100	PCB, 10KEY
CN305	9A07360300	PLUG, 3P
SW311-322	9A07083200	SW, TACT

FUNCTION PCB ASSY

REF. NO.	PARTS NO.	DESCRIPTION
	9A07351600	ASSY, PCB, FUNCTION
	9A07355200	PCB, FUNCTION
CN306	9A07360300	PLUG, 3P
SW323-331	9A08467800	SW, TACT

HP PCB ASSY

REF. NO.	PARTS NO.	DESCRIPTION
	9A07351910	ASSY, PCB, HP
	9A07355500	PCB, HP
	9A07508700	CORE, BP53RB120070060M
	9A07508800	CORE, E04RA120070060
IC401	9A07085500	IC, NJM4560D
JK401	9A07081200	JACK, H. P.
VR401	9A07082700	VR, ROTARY 50K

SENSOR PCB ASSY

REF. NO.	PARTS NO.	DESCRIPTION
	9A06842500	ASSY, PCB, SENSOR
	9A07349200	PCB, SENSOR
CN01	9A06848500	CONNECTOR, 3P
P01	9A06847700	PHOTO COUPLE, GP1S58V

CDRW PCB ASSY

REF. NO.	PARTS NO.	DESCRIPTION
	9A08658600	ASSY, PCB, CDRW
	9A09093600	PCB, CDRW
CN605	9A09093700	PLUG, 33P, R TC
IC201-204	9A09094000	IC, NJM2137M
Q201-204	9A06857000	TR, 2SD1936-T-AC
R201, 203	9A09094100	R, 50K 1/6W 1%
R205, 207	9A09094100	R, 50K 1/6W 1%

OUTPUT (+DIGI) PCB ASSY

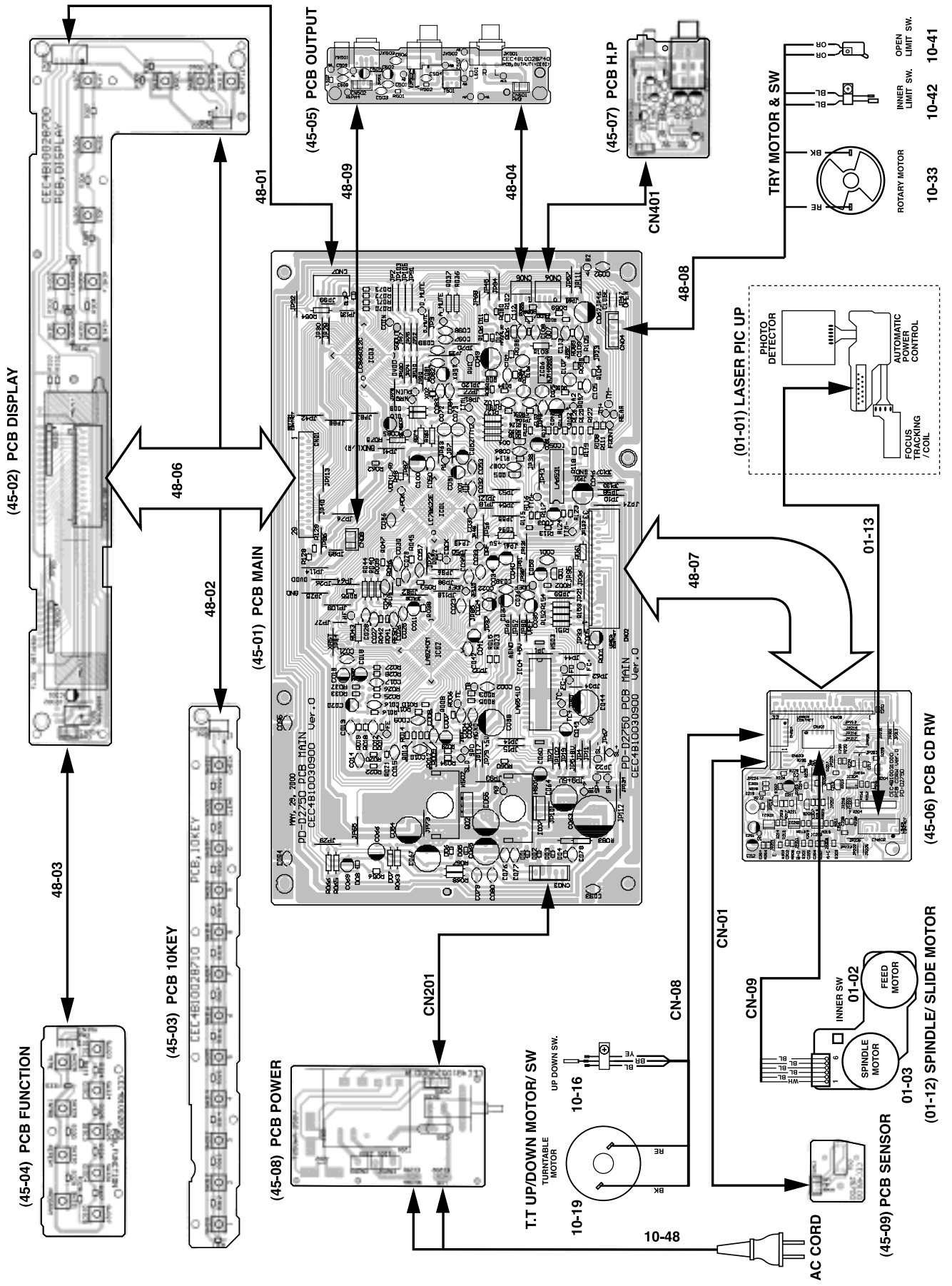
REF. NO.	PARTS NO.	DESCRIPTION
	9A07605900	ASSY, PCB, OUTPUT (+DIGI)
	9A07606200	PCB, OUTPUT (+DIGI)
CN501	9A00436900	PLUG, 3P
CN502	9A06976700	PLUG, 4P, PH V
JK501	9A06859100	JACK, 2P, RCA
JK502	9A07606300	JACK, VIDEO
JK503	9A07275000	CONVERTOR, GP1F32T
JP501	9A07606500	INDUCTOR, FERRITE
MH501	9A07274100	TERMINAL, GND
T501	9A02276900	TRANS, PULSE

POWER PCB ASSY

REF. NO.	PARTS NO.	DESCRIPTION
	9A07352030	ASSY, PCB, POWER [J]
	9A07352000	ASSY, PCB, POWER [US]
	9A07352010	ASSY, PCB, POWER [E]
	9A07352020	ASSY, PCB, POWER [UK]
	9A07507900	PCB, POWER [J, E, UK]
	9A07355600	PCB, POWER [US]
	△ 9A07275200	POWER CORD [J]
	△ 9A07506100	POWER CORD [US]
	△ 9A07087800	POWER CORD [E]
	△ 9A07258200	POWER CORD [UK]
	9A07081100	PLUG ROUND PIN [US]
C201	△ 9A07080700	CAPACITOR
CN201	9A07356100	CONNECTOR, 5P, XH
CN202	9A07082200	CONNECTOR HOUSING [US]
EC201, 202	5760663000	EC TERMINAL, 1P
F202	9A07088000	FUSE HOLDER [E, UK]
F202	△ 9A09198000	FUSE, 250V 800MA [E, UK]
SW201	△ 9A07083100	SW, PUSH, POWER
T201	△ 9A09167700	POWER TRANSFORMER [J]
T201	△ 9A07356600	POWER TRANSFORMER [US]
T201	△ 9A07508000	POWER TRANSFORMER [E, UK]

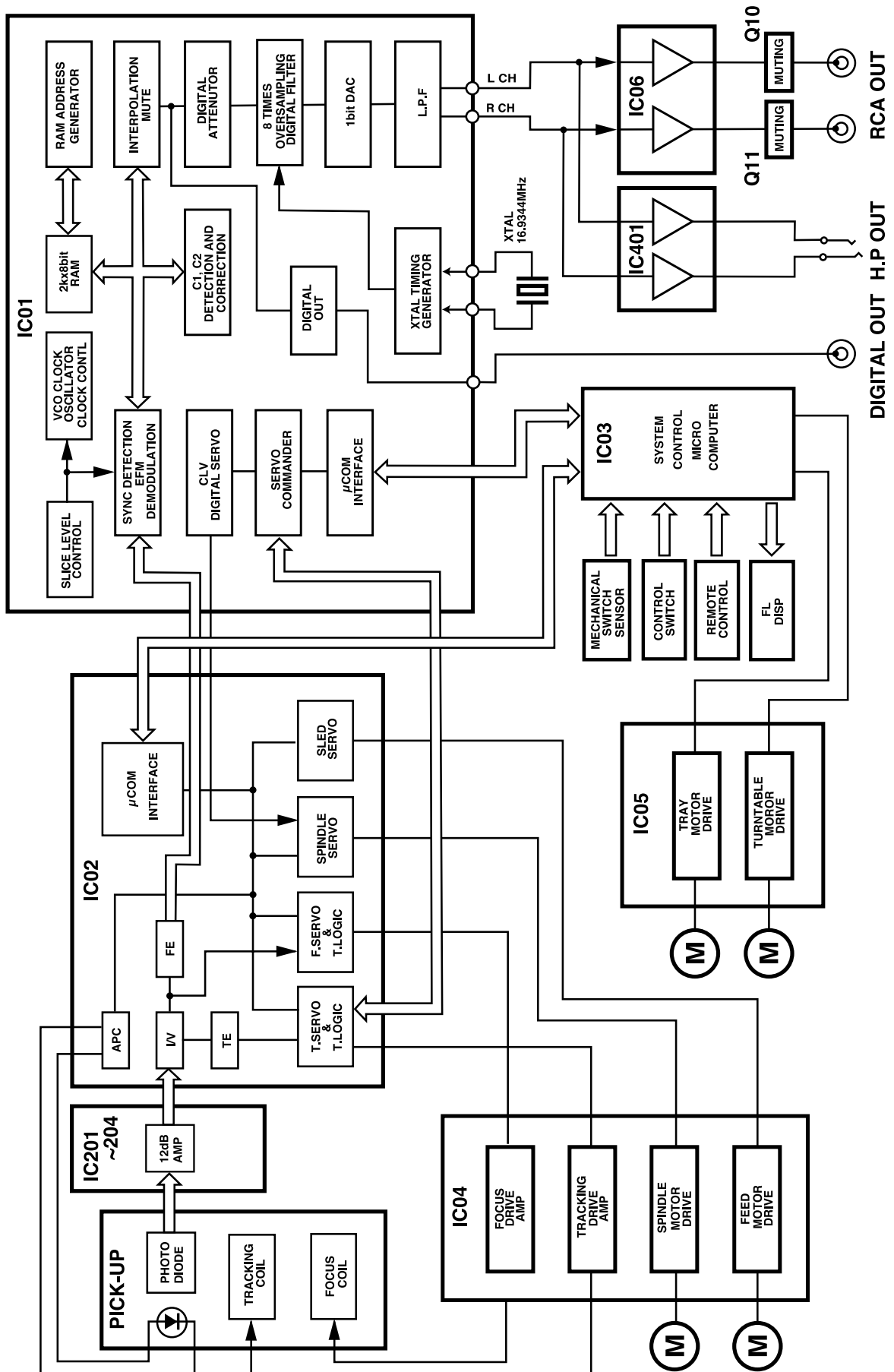
4 WIRING DIAGRAM

配線図



5 BLOCK DIAGRAM

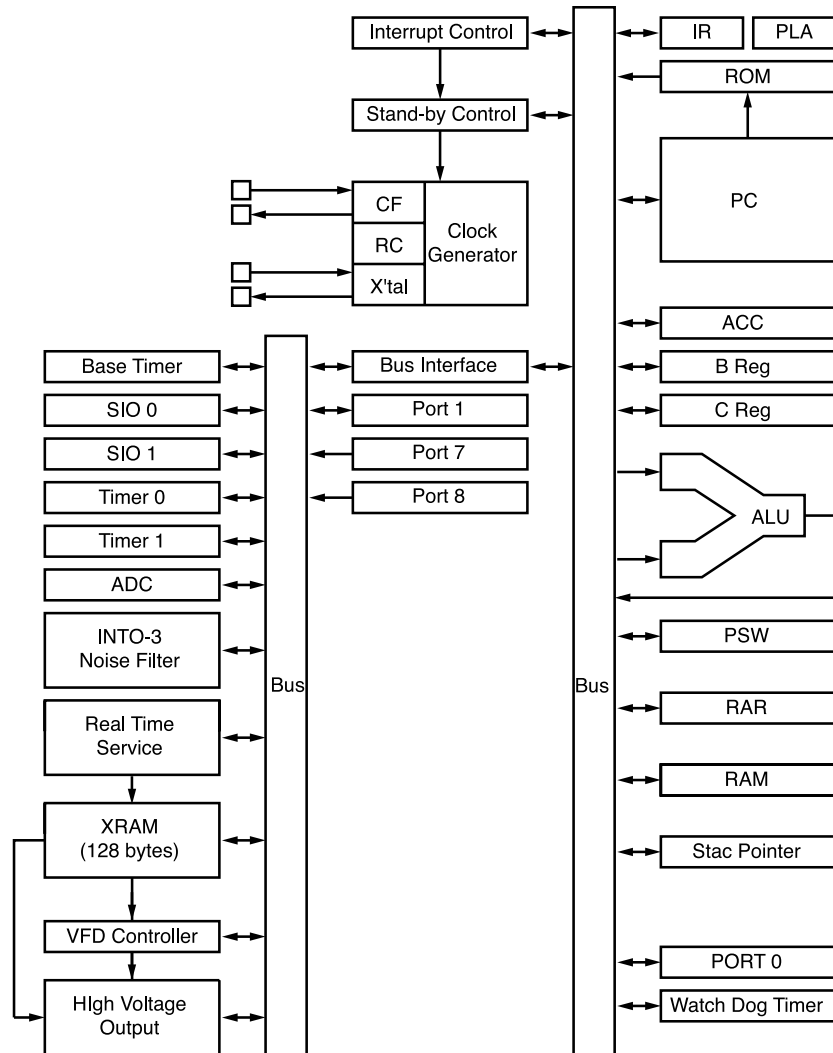
ブロック図



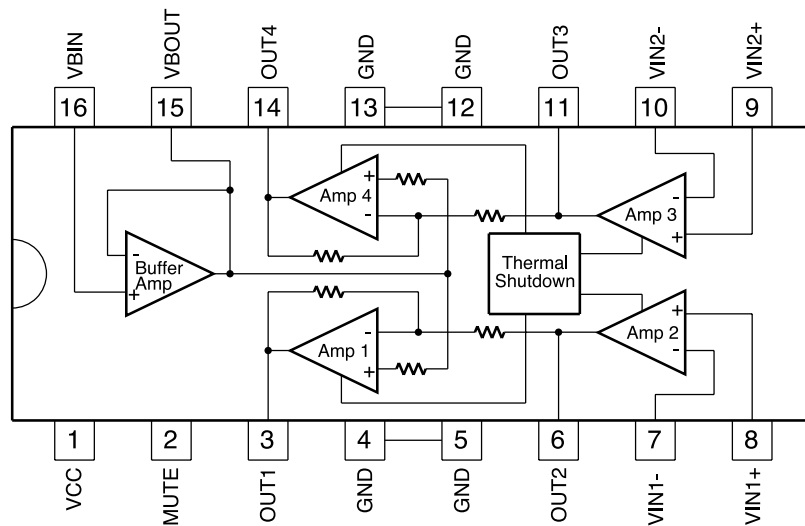
6 IC BLOCK DIAGRAM

ICブロック図

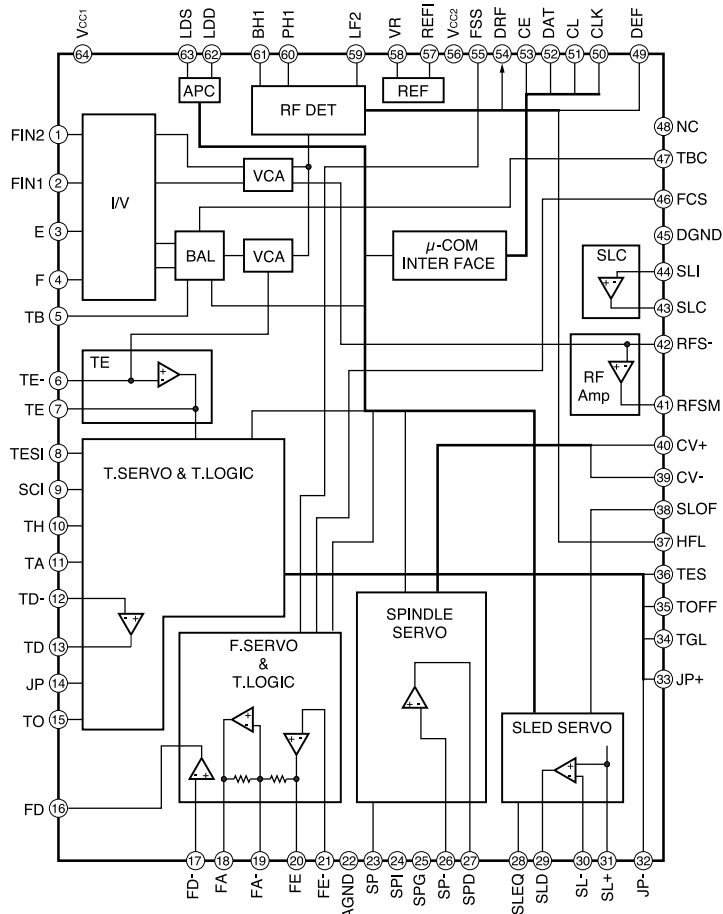
LC866012C BLOCK DIAGRAM



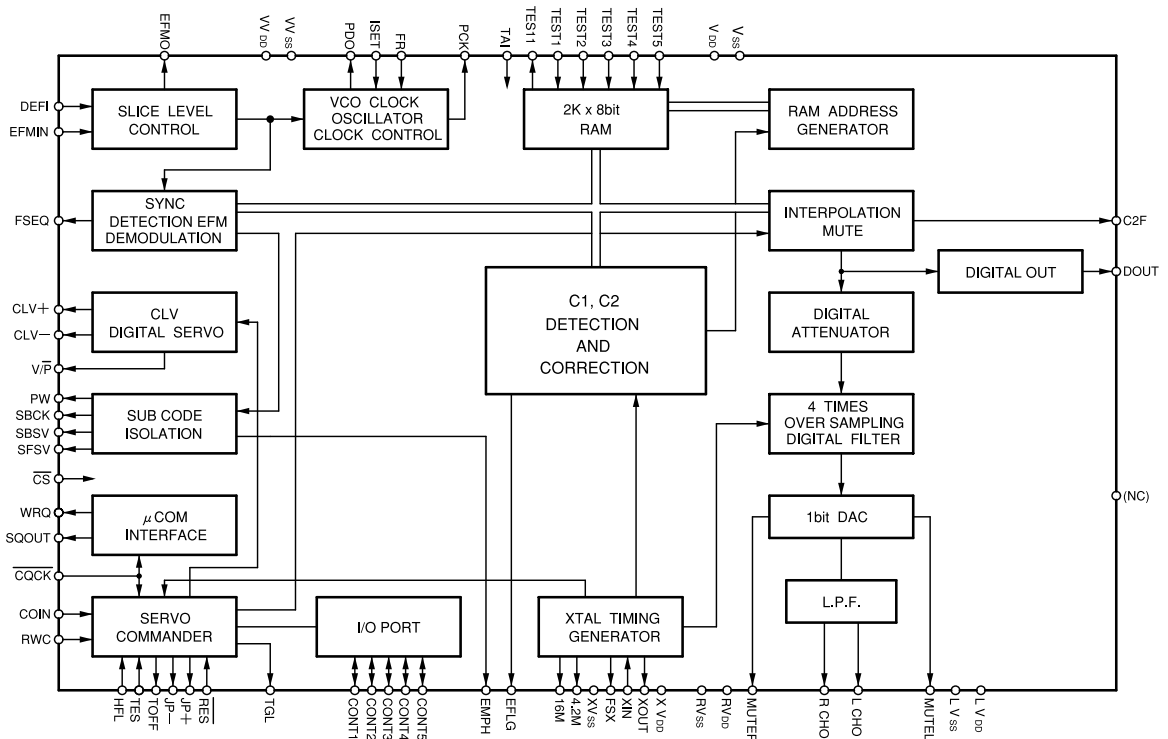
LA6531 BLOCK DIAGRAM



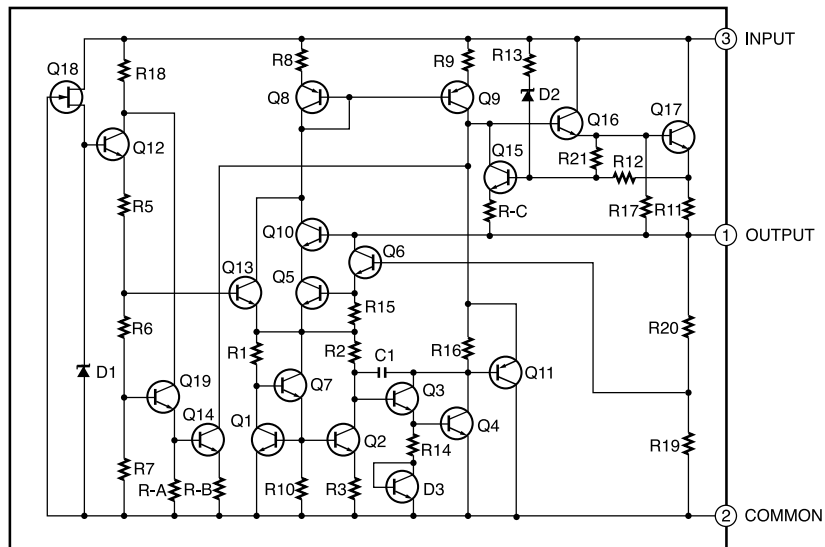
LA9240M BLOCK DIAGRAM



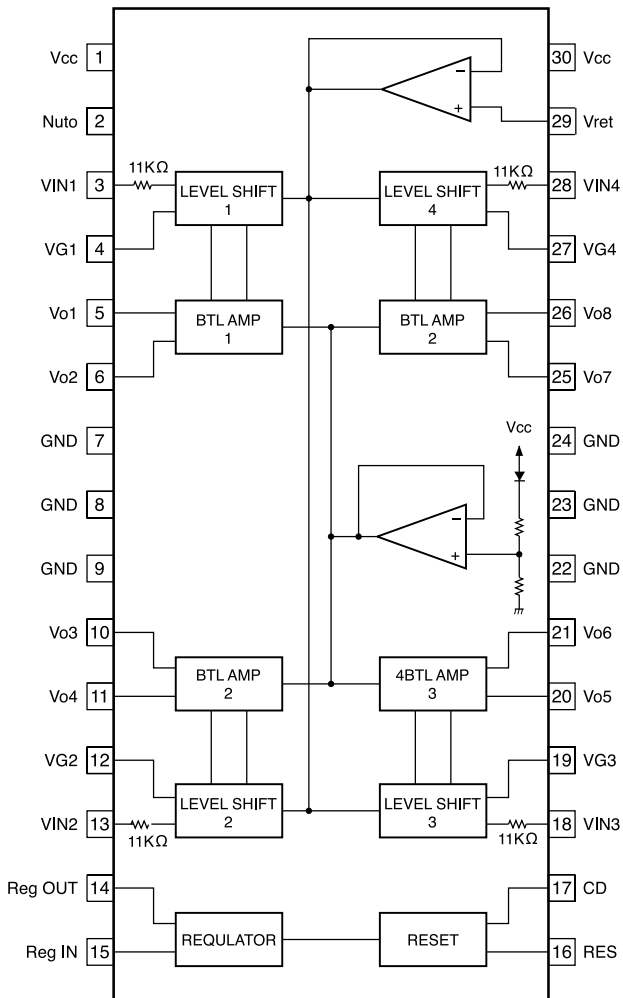
LC78622E BLOCK DIAGRAM



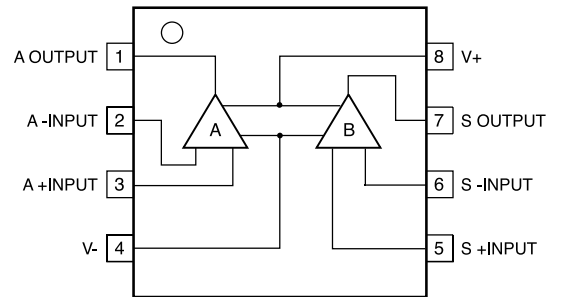
**NJM7805FA BLOCK DIAGRAM
NJM7808FA BLOCK DIAGRAM**



LA6541D BLOCK DIAGRAM



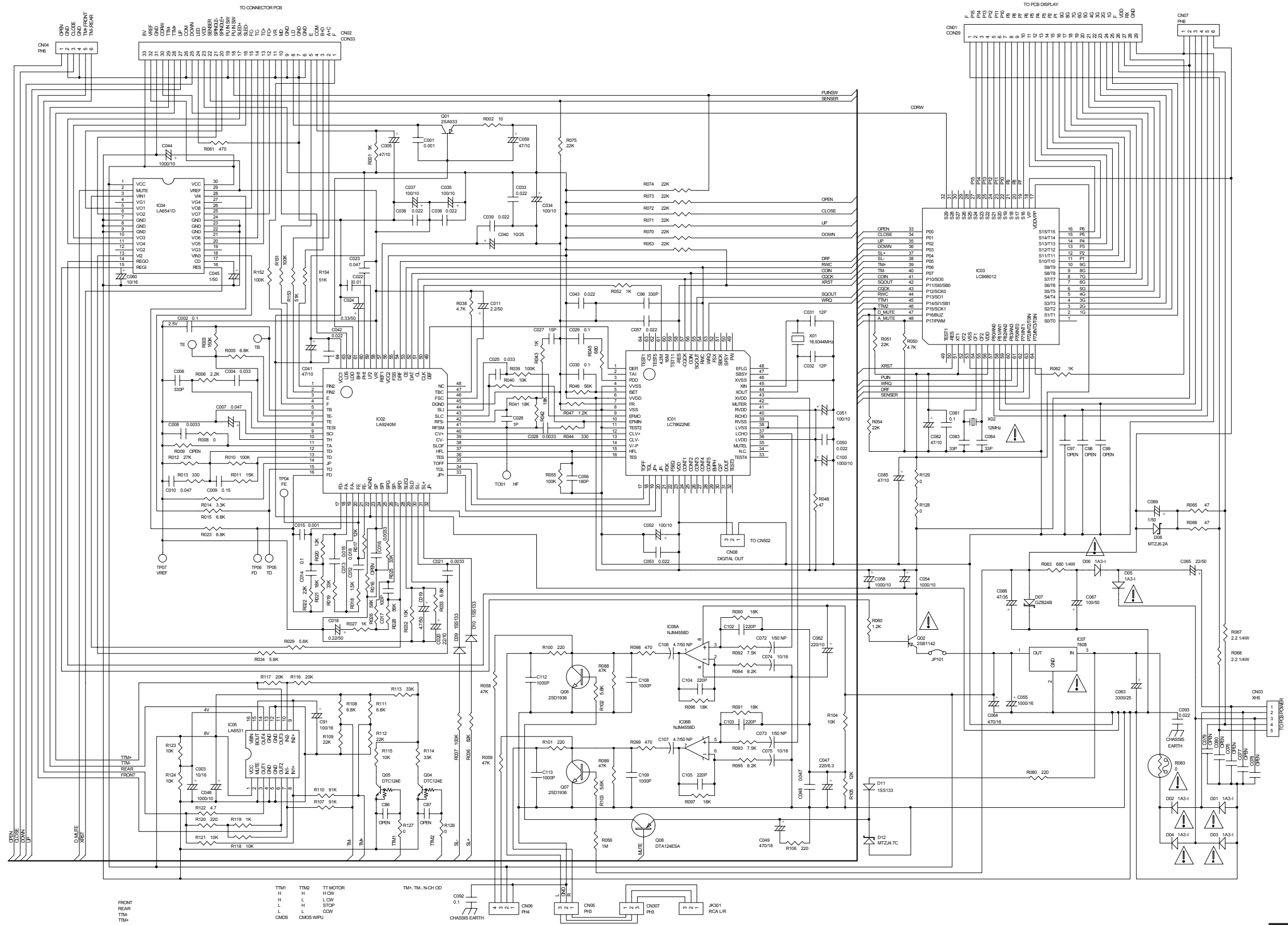
**NJM4560D BLOCK DIAGRAM
NJM4558D BLOCK DIAGRAM
NJM2137 BLOCK DIAGRAM**



TEAC SCHEMATIC DIAGRAM PD-D2750 MAIN PCB

1 2 3 4 5 6 7 8

A
B
C
D
E



INSTRUCTIONS FOR SERVICE PERSONNEL
BEFORE RETURNING APPLIANCE TO THE CUSTOMER, MAKE LEAKAGE-CURRENT OR RESISTANCE MEASUREMENTS TO DETERMINE THAT EXPOSED PARTS ARE ACCEPTABLY INSULATED FROM THE SUPPLY CIRCUIT.

NOTES:
 1. Resistor values are in ohms (k=kilo-ohms, M=megohms).
 2. Capacitor values are in microfarads (p=picofarads).
 3. Δ Parts marked with this sign are safety critical components. They must always be replaced with identical components—refer to the appropriate parts list and ensure exact replacement.

注意
 1. 抵抗の単位は Ω (k=k Ω , M=M Ω) です。
 2. コンデンサの単位は μF (p=pF) です。
 3. Δ マークのある部品は安全規格重要部品です。交換するときは必ずティアック指定の部品を使用してください。

PD-D2750

Compact Disc Changer

1st Issue; October 2001

TEAC SCHEMATIC DIAGRAM PD-D2750 CDRW PCB

1 2 3 4 5 6 7 8

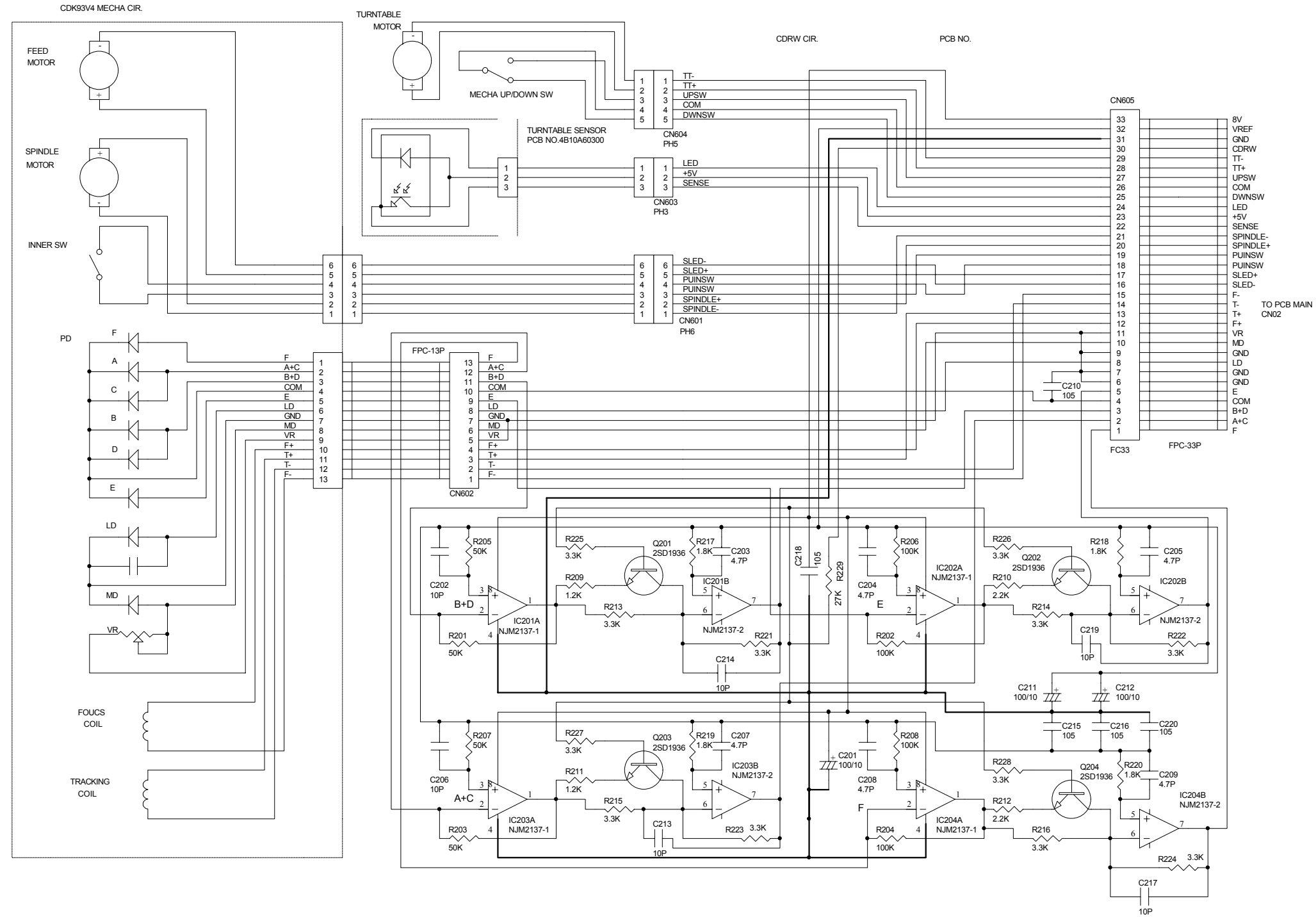
A

B

C

D

E



INSTRUCTIONS FOR SERVICE PERSONNEL
BEFORE RETURNING APPLIANCE TO THE CUSTOMER, MAKE LEAKAGE-CURRENT OR RESISTANCE MEASUREMENTS TO DETERMINE THAT EXPOSED PARTS ARE ACCEPTABLY INSULATED FROM THE SUPPLY CIRCUIT.

NOTES:

1. Resistor values are in ohms (k=kilo-ohms, M=megohms).
2. Capacitor values are in microfarads (p=picofarads).
3. Δ Parts marked with this sign are safety critical components. They must always be replaced with identical components—refer to the appropriate parts list and ensure exact replacement.

注意

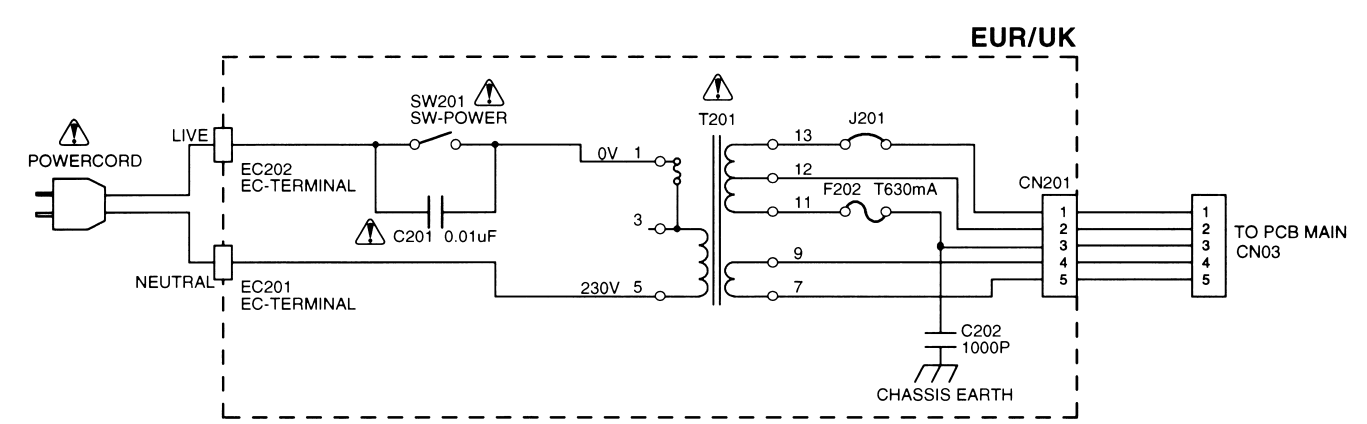
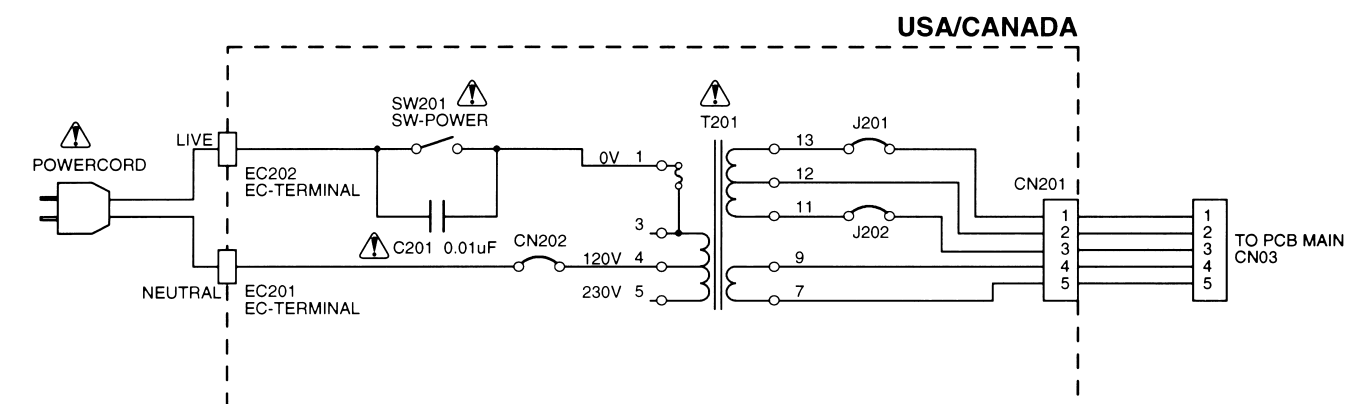
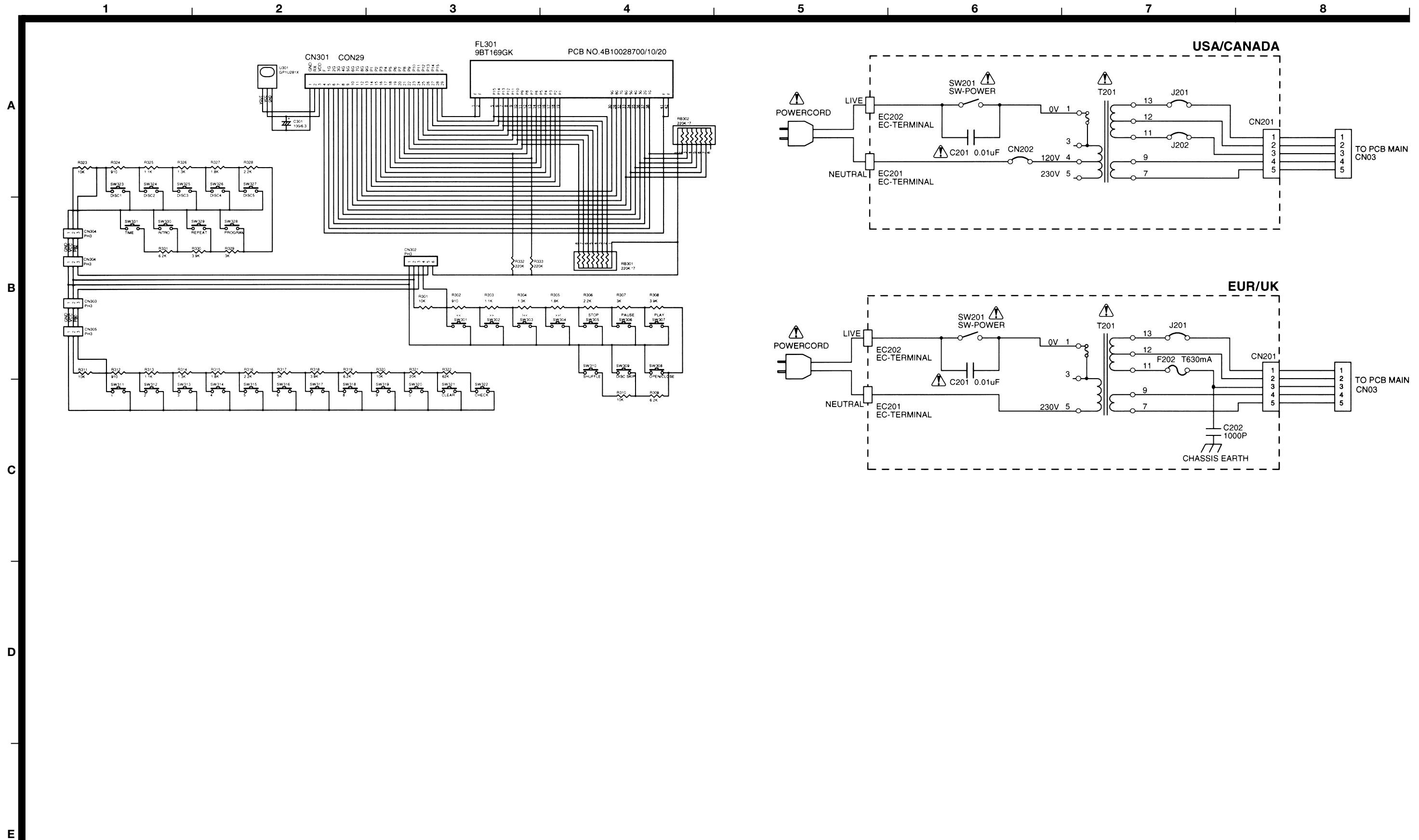
1. 抵抗の単位は Ω (k=k Ω , M=M Ω) です。
2. コンデンサの単位は μF (p=pF) です。
3. Δ マークのある部品は安全規格重要部品です。交換するときは必ずティアック指定の部品を使用してください。

PD-D2750

Compact Disc Changer

1st Issue; October 2001

TEAC SCHEMATIC DIAGRAM PD-D2750 DISPLAY PCB, 10KEY PCB, FUNCTION PCB, POWER PCB



INSTRUCTIONS FOR SERVICE PERSONNEL
BEFORE RETURNING APPLIANCE TO THE CUSTOMER, MAKE LEAKAGE-CURRENT OR RESISTANCE MEASUREMENTS TO DETERMINE THAT EXPOSED PARTS ARE ACCEPTABLY INSULATED FROM THE SUPPLY CIRCUIT.

NOTES:
 1. Resistor values are in ohms (k=kilo-ohms, M=Megohms).
 2. Capacitor values are in microfarads (p=picofarads).
 3. ⚠️ Parts marked with this sign are safety critical components. They must always be replaced with identical components-refer to the appropriate parts list and ensure exact replacement.

注意
 1. 抵抗の単位はΩ (k=kΩ, M=MΩ)です。
 2. コンデンサの単位はμF (p=pF)です。
 3. ⚠️マークのある部品は安全規格重要部品です。交換するときは必ずティエック指定の部品を使用してください。